

CUSTOMIZABLE CHASSIS FOR YOUR TRUCK

MILITARY-GRADE CHASSIS SOLUTIONS

*Rugged 35- and 50- Series chassis for military and commercial use
(4x4 & 6x6 configurations)*

Extreme off-road performance

Up to 10-tonne (.98 ton) payload vehicle capacity

High mobility

Multiple applications

Adjustable height

Multiple configurations

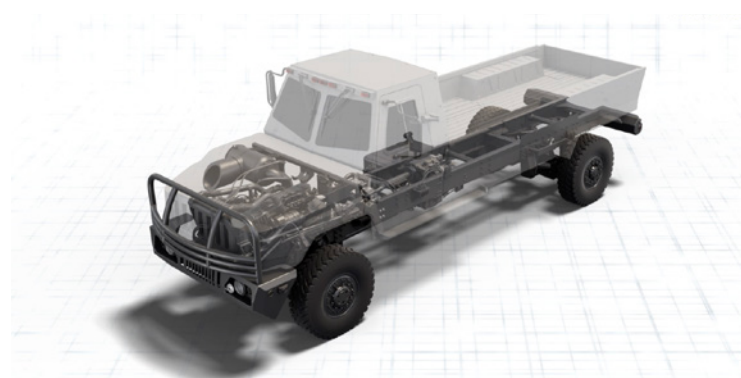
CUSTOMIZABLE CHASSIS FOR YOUR TRUCK

Rugged 35- and 50- Series chassis for military and commercial use (4x4 & 6x6 configurations)

35- SERIES

50- SERIES

Brake System	Pneumatic service brake system; disc front, drum rear (w/ ABS)	
Driveline	4x4	6x6
Gross Vehicle Weight (Max)	17,350 kg (38,250 lb.)	22,498 kg (49,600 lb.)
Payload Capacity	4,536 kg (10,000 lb.)	9,525 kg (21,000 lb.)
Towing Capacity (Max)	4,695 kg (10,350 lb.)	10,000 kg (22,000 lb.)
Ground Clearance	60 cm (23.5 in.) (w/o armor)	
Frame Width	246 cm (96.9 in.) (rolling chassis)	
Frame Length	862 cm (339.2 in.) (rolling chassis)	914 cm (359.7 in.) (rolling chassis)
Fuel Capacity	212 liters (56 gallons)	
Horsepower	350 hp	
Torque	1,100 N•m (811 lb-ft)	
Engine	Inline 6-cylinder diesel	
Transmission	6-speed automatic	
Mechanical	400 amps	
Steering	Power master/slave reciprocating ball	
Turning Circle	42 m (137.7 ft.)	
Suspension	Front: Independent double control arm with HPAS and hydraulic shocks	
	Rear: Long travel live beam trailing arm with air suspension and hydraulic shocks	
Sway Bar	Yes	
Wheelbase	560 cm (220.5 in.)	
Wheels	51 cm (20 in.) two-piece aluminum; CTIS ready	
Tires	395/85R20 or 16.00R20	



CAPABLE 4X4 MEDIUM TACTICAL PLATFORM FOR MULTI-PURPOSE USE

AFFORDABLE/HIGH-VALUE SOLUTION



CAPABLE 6X6 MEDIUM TACTICAL PLATFORM FOR MULTI-PURPOSE USE

ADAPTABLE FOR HEAVY-DUTY COMMERCIAL USE

HAULS HEAVY CARGO OVER THE ROUGHEST TERRAIN



AM General Headquarters
105 N. Niles Ave
South Bend, IN 46617
(574) 237-6222
www.amgeneral.com